

Technology for an emission-free future

A use case for the decarbonisation of industry with ZIMM

ZIMM – Efficient drive solutions for sustainable processes worldwide

The industry of tomorrow needs solutions that combine efficiency, innovation and climate protection. We at ZIMM are proud to be part of a project that is taking precisely this approach: With our screw jacks, we are actively driving forward CO₂-free material production and thus contributing to the decarbonisation of industrial processes.

In a state-of-the-art demonstration plant, a new process is currently being developed that enables the industrial production of materials completely without CO₂-emissions. This innovative technology is a decisive step towards a climate-friendly industry and sustainable value chains.



The solution

Precision for progress

Our screw jacks play a key role in this system: they ensure precise lifting and positioning movements, which are essential for process stability and production efficiency. An arrangement J, which is precisely customised to the project and equipped with all the necessary drive components and accessories, is used.

In order to optimise the demanding requirements in the test phase, the system was flexibly extended by a further J arrangement. This modular retrofit enables precise analysis under different operating conditions and makes a significant contribution to continuously optimising the safety, efficiency and technological maturity of the overall system.

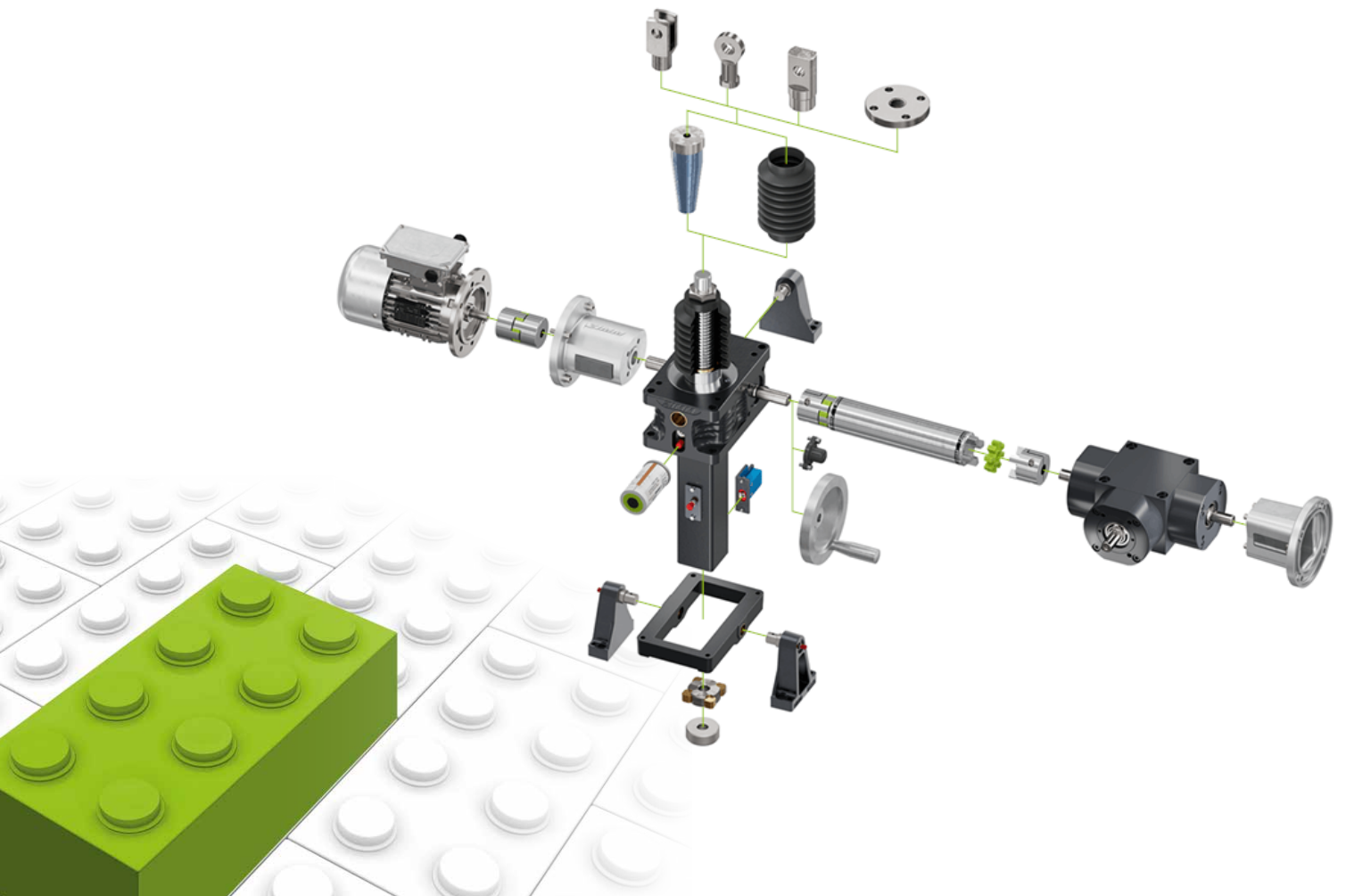




Why ZIMM is the right partner

Our customers benefit from customised solutions that we can adapt to their individual requirements thanks to our ZIMM modular system. Combined with our many years of experience and our high quality standards, this results in reliable, durable and efficient drive solutions – even for particularly complex or innovative projects.

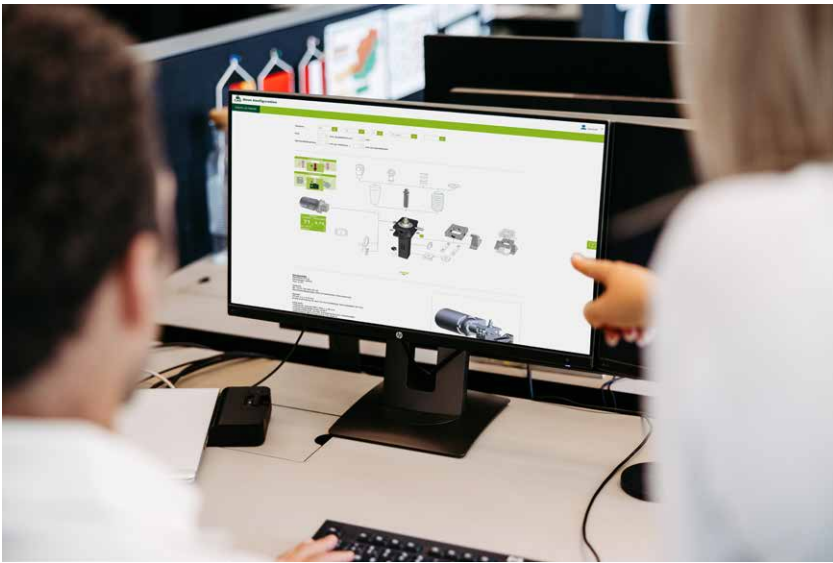
From the initial consultation to configuration and successful commissioning, we support our customers in a partnership-based, solution-orientated manner and with a clear focus on sustainability and technological excellence.



Your solution starts online – with the ZIMM CAD product configurator

Our drive solutions can not only be customised, but also easily configured online. With the intuitive ZIMM online configurator, you can put together your customised screw jack solution in just a few steps – precisely tailored to your requirements.

Whether for demanding pilot projects, efficient series applications, or highly specialized custom solutions: with our flexible modular system and state-of-the-art configuration technology, we deliver solutions that impress today and ensure long-term future viability.



- 1 Enter parameters
- 2 Select components
- 3 Configure
- 4 Check system preview
- 5 Download 3D data

„Such projects impressively demonstrate that innovation and sustainability are not a contradiction in terms. For me personally, it is a great pleasure to work together with our customer on a sustainable, emission-free technology. The flexible expandability and adaptability of our systems have proven once again how well our modular concept works in practice.“

Sami Peters, Project Manager Field Service
ZIMM Group GmbH

Together we move more – for our customers,
for the industry and for an emission-free future.
Rely on proven ZIMM technology now and benefit
from customised solutions and first-class service.

ZIMM®
zimm.com